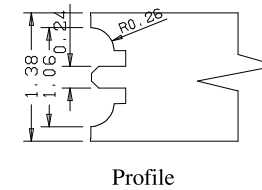
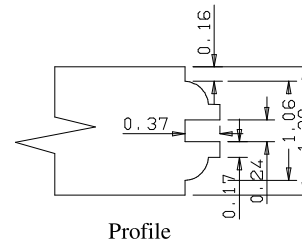
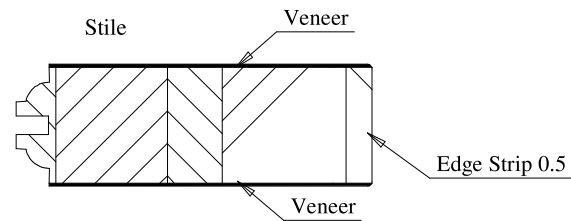
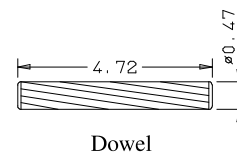
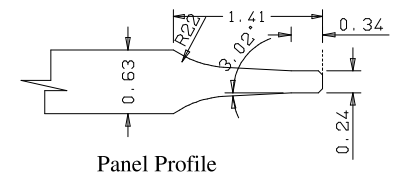
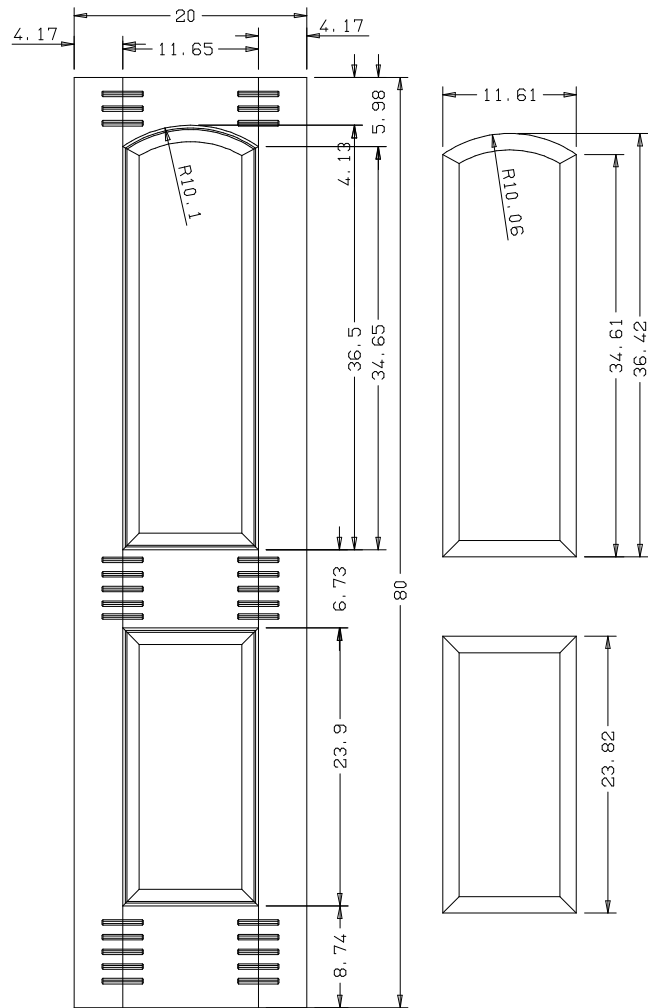


Titulo: RM#155 - 80" x 18" x 35mm

SQUARE ONE
BUILDING PRODUCTS

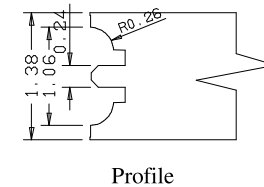
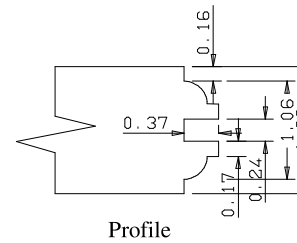
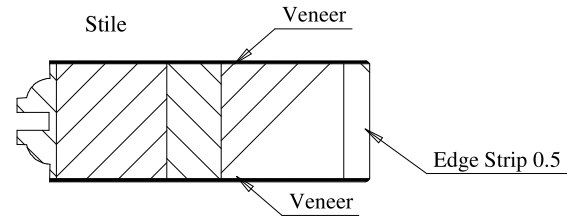
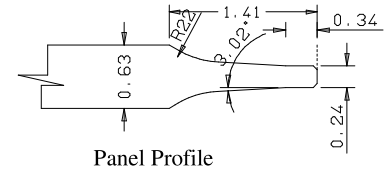
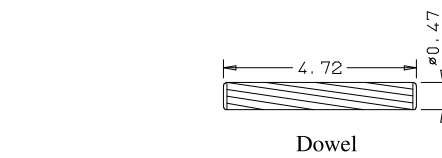
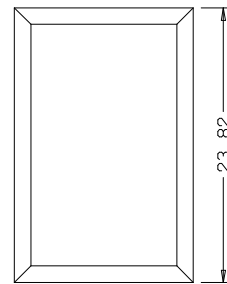
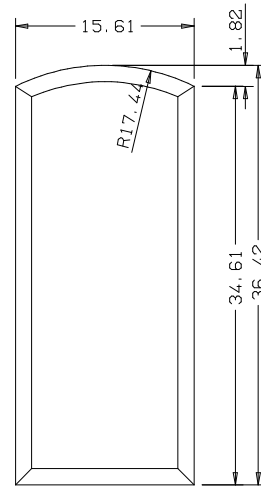
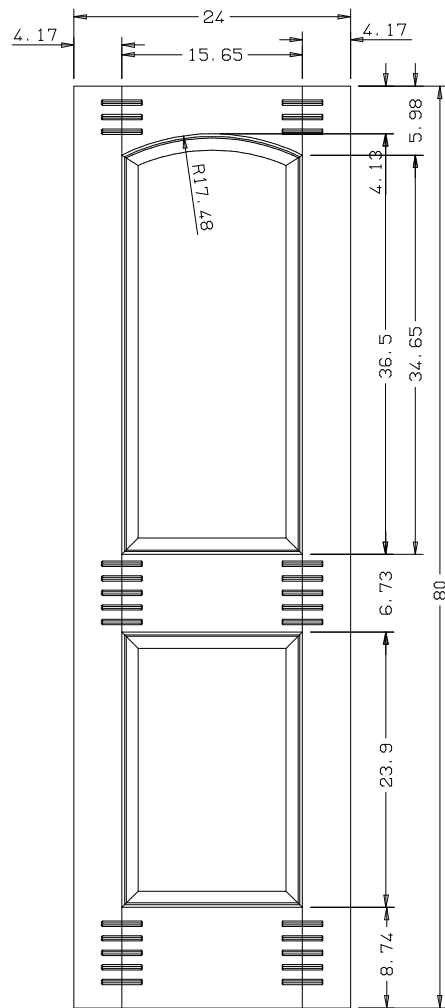
Client	Square One				
Designer	Luiz Antonio Cirico	Approval	Charles	Reviewed by	Luiz Antonio
Date	09-08-2018	Date	09-08-2018	Review Date	09-08-2018



Titulo: **RM#155 - 80 x 20 x 35mm**

SQUARE ONE
BUILDING PRODUCTS

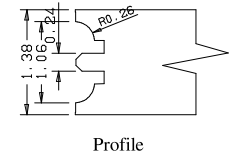
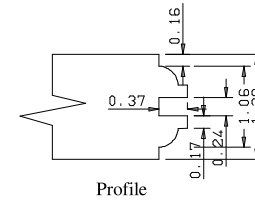
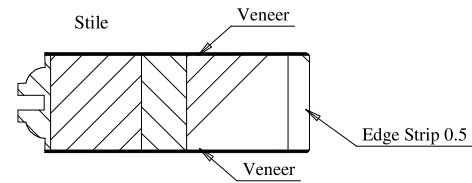
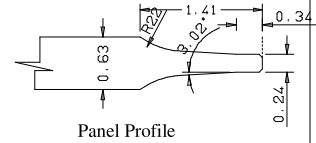
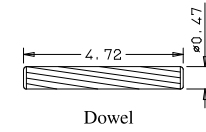
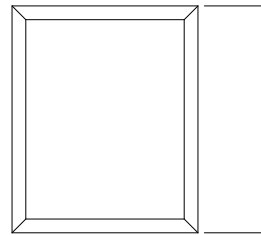
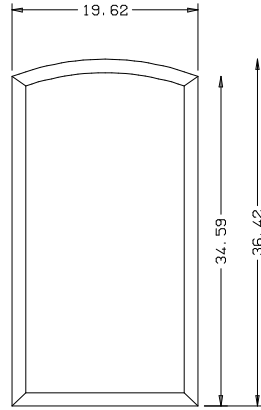
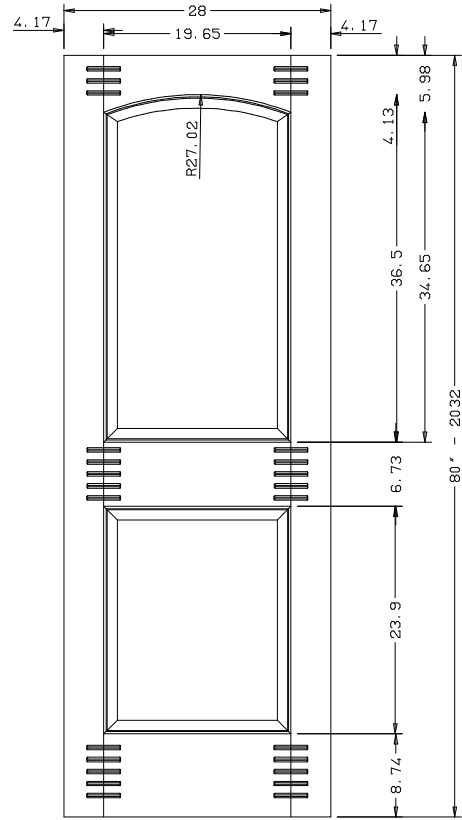
Client	Square One			
Designer	Luiz Antônio	Approval	Charles	Reviewed by
Date	01-07-2020	Date	01-07-2020	Luiz Antônio
				Review Date
				01-07-2020



Titulo: RM#155 - 80 x 24 x 35mm

SQUARE ONE
BUILDING PRODUCTS

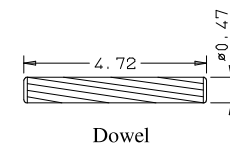
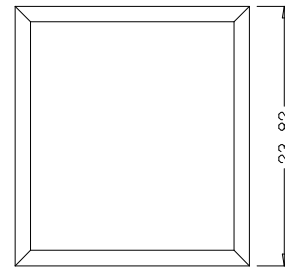
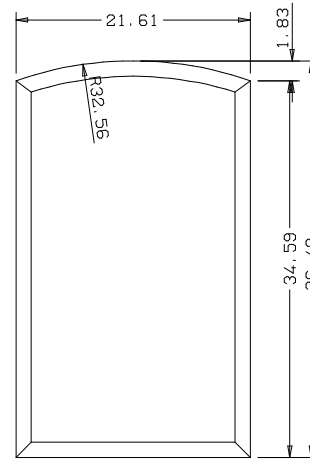
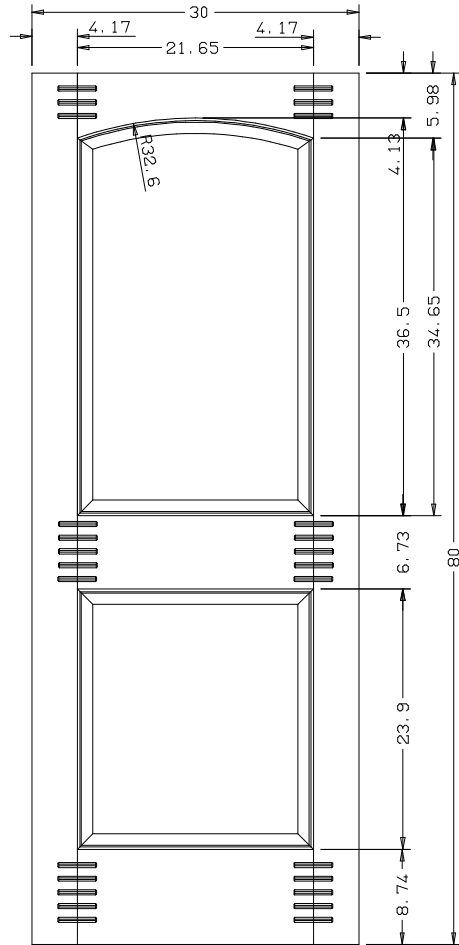
Client	963- Square One				
Designer	Luiz Antonio	Approval	Charles Agostini	Reviewed by	Luiz Antonio
Date	18-04-2018	Date	18-04-2018	Review Date	18-04-2018



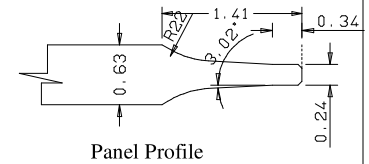
Titulo: RM#155 - 80" x 28" x 35mm - Clear

SQUARE ONE
BUILDING PRODUCTS

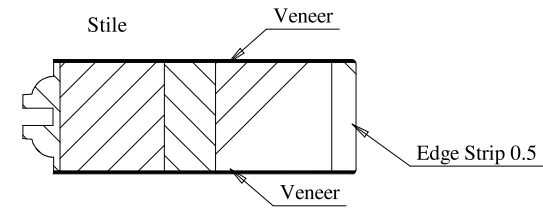
Client					
Designer	Luiz Antônio	Approval	Charles	Reviewed by	Luiz
Date	24-07-2018	Date	24-07-2018	Review Date	24-07-2018



Dowel



Panel Profile

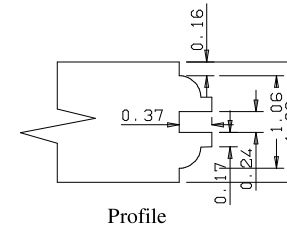


Stile

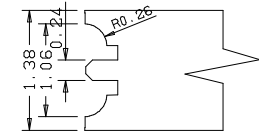
Veneer

Edge Strip 0.5

Veneer



Profile

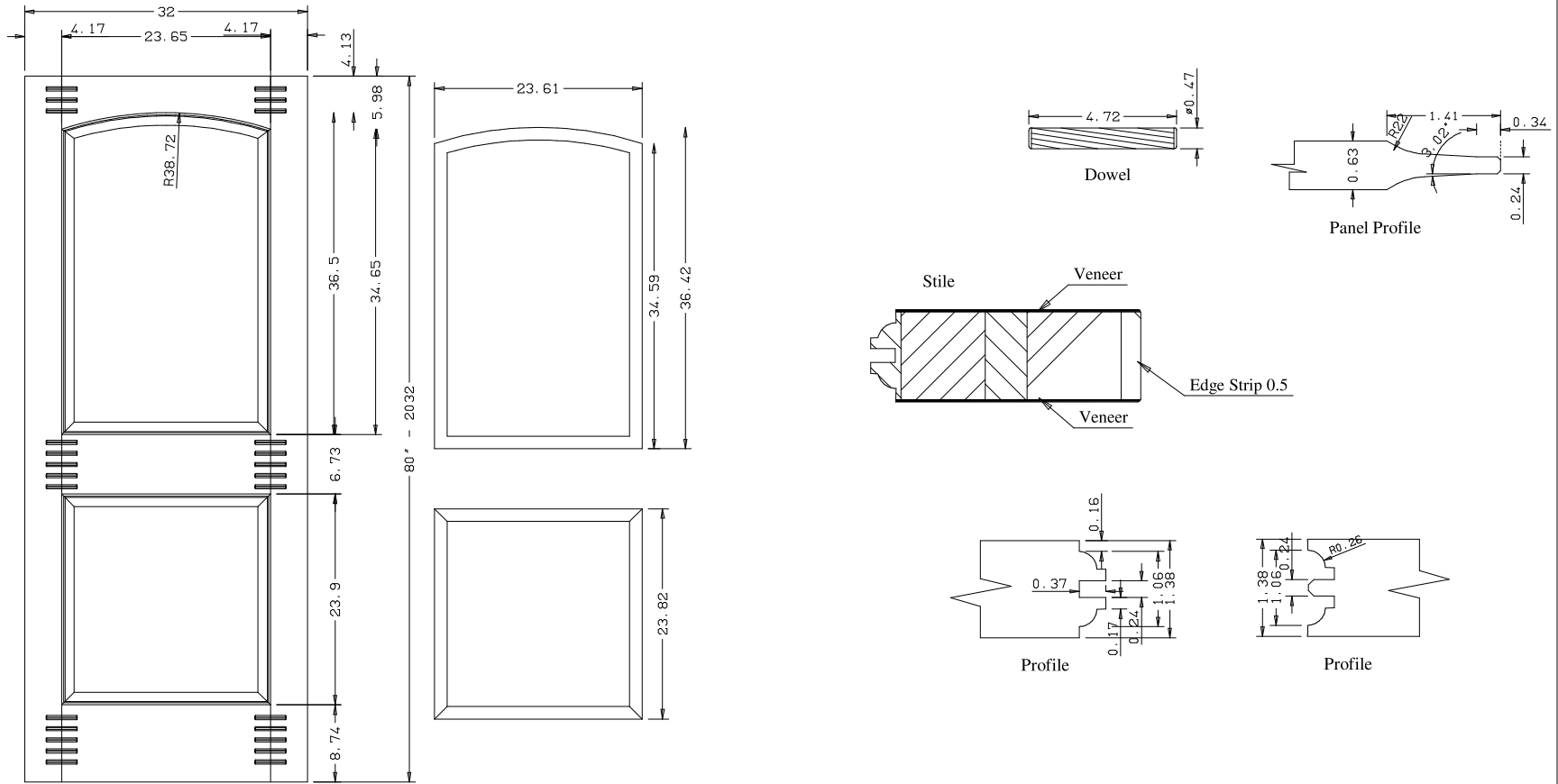


Profile

Titulo: RM#155 - 80 x 30 x 35mm

SQUARE ONE
BUILDING PRODUCTS

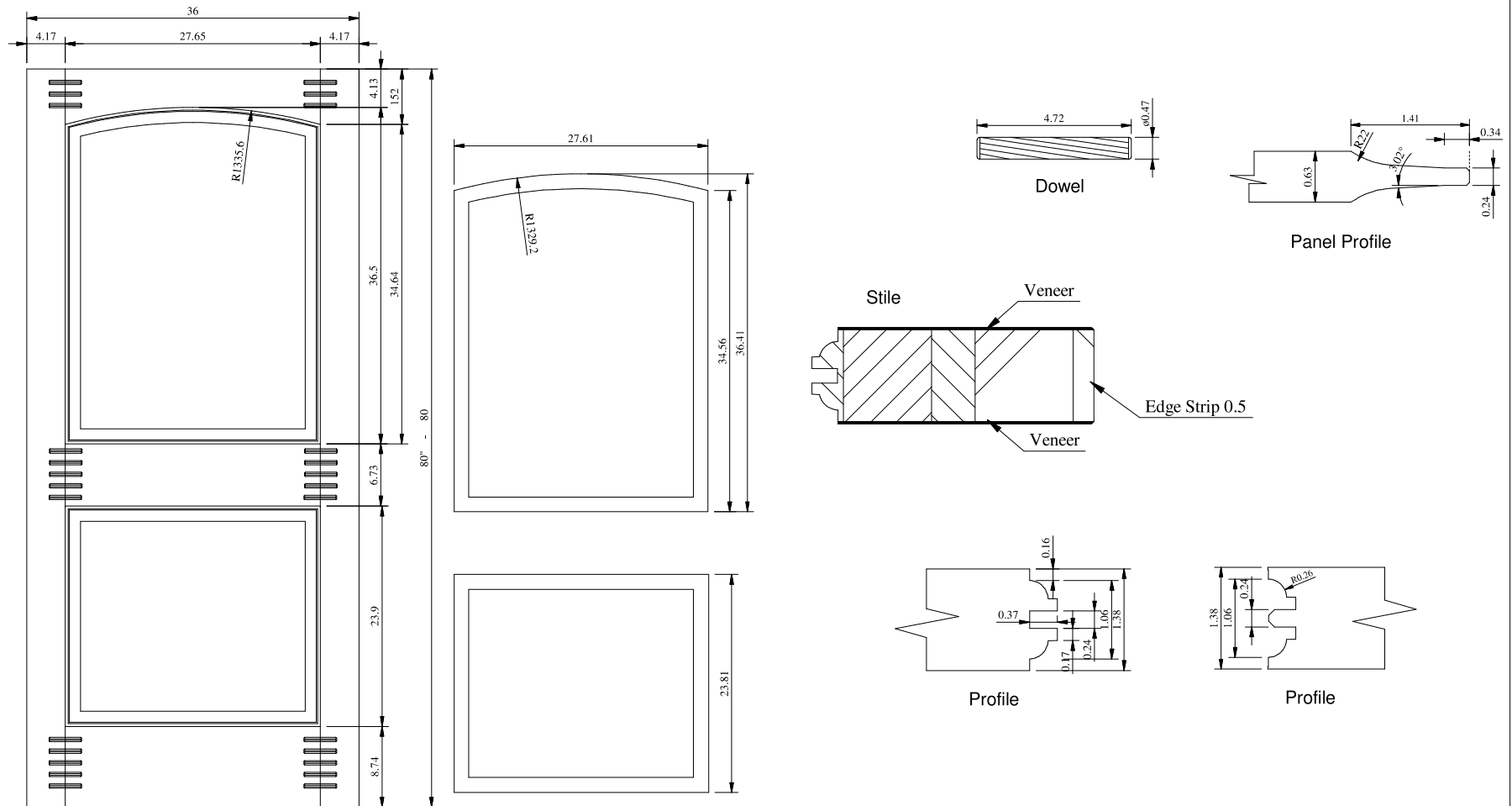
Client	963- Square One				
Designer	Luiz Antônio	Approval	Charles	Reviewed by	Luiz Antônio
Date	07-05-2018	Date	07-05-2018	Review Date	07-05-2018



Titulo: RM#155 - 80" x 32" x 35mm - Clear

SQUARE ONE
BUILDING PRODUCTS

Client	Square One				
Designer	Luiz Antonio Cirico	Approval	Charles	Reviewed by	Luiz Antonio
Date	24-05-2018	Date	24-05-2018	Review Date	24-05-2018



Titulo: RM#155 - 80" x 36" x 35mm

	Client	963- Square One			
	Designer	Luiz Antônio	Approval	Charles	Reviewed by Luiz Antônio
	Date	16-02-2018	Date	16-02-2018	Review Date 16-02-2018